

PRESSURE REDUCING VALVE

FLANGED ENDS

920301

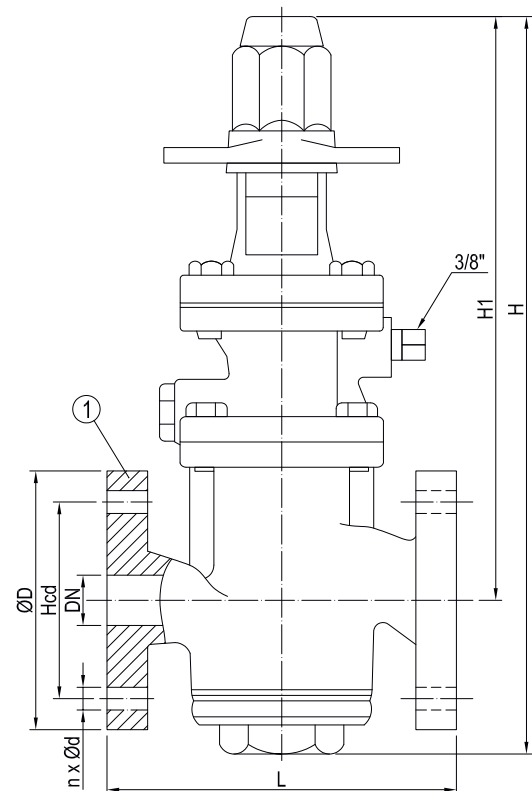
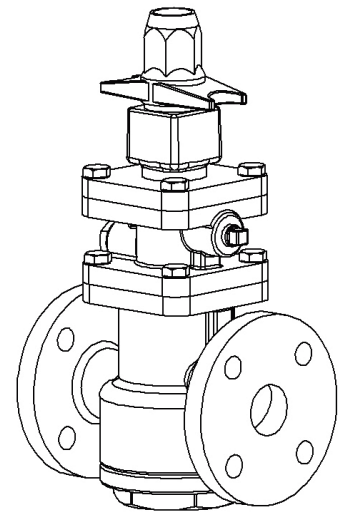
DESCRIPTION: Straight type nodular cast iron body pilot operated steam pressure reducing valve. Primary pressure 1-3 barg. Flat face flanged.

APPLICATION: Process steam systems
For reduction and accurate control of steam pressure.

STANDARD & DESIGN:

Design Code: -
 Inspection Std.: -
 End Std.: DIN 2501
 Face to Face Std.: -
 Flanges drilled: PN16(DN20-DN50)
 Max. operating pressure: 3 barg
 Max. operating temperature: 220°C
 Primary pressure range: 1-3 barg
 Adjustable pressure range: 0.1-0.5 barg
 Minimum adjustable flow rate: 5% of rated flow rate

VARIATIONS: Other material or End Std. on request.



No	Part	Material	Code
1	Body	Ductile Cast Iron	GGG-40.3
2	Major Internal Parts	Stainless Steel	-

DN	n x ød	Hcd	øD	L	H	H1	Kg
20	4x14	75	105	150	357	285	11
25	4x14	85	115	160	357	282	13
32	4x18	100	140	180	385	302	19
40	4x18	110	150	200	385	302	20
50	4x18	125	165	230	412	315	27