

# PRESSURE REDUCING VALVE

470923

## THREADED ENDS

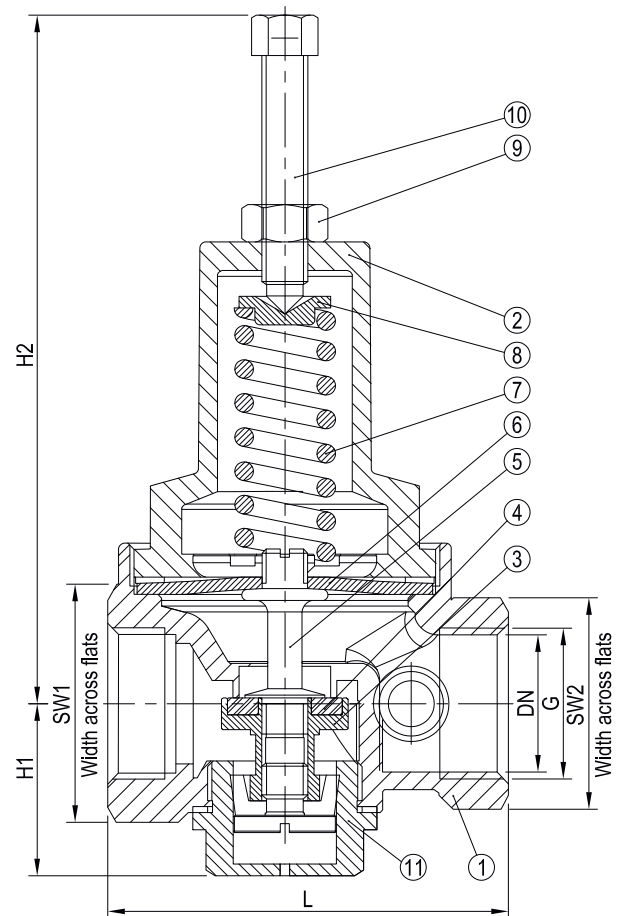
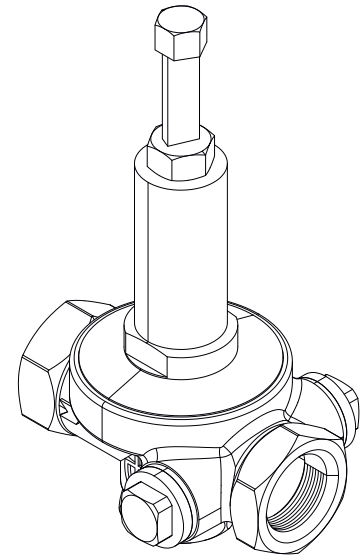
**DESCRIPTION:** Straight Rg5 body adjustable pressure reducing valve with NBR seal. Outlet pressure range 1,5-10 bar. Single manometer fitting. Female BSPP thread.

**APPLICATION:** Commercial and industrial plants, compressed air supply plants, pneumatic control units, pressure booster plants air-side, shipbuilding industry and offshore plants. Avoiding distributing line over pressure or pressure peaks due to variations in supply line pressure in neutral non viscous liquids, air, gases and vapours. Not for steam.

**STANDARD & DESIGN:**

Design Code: -  
 Inspection Std.: -  
 End Std.: DIN EN ISO 228-1 (Inlet & Outlet)  
 Face to Face Std.: -  
 Inlet Pressure: Max. 50 bar(DN10-DN25)  
 Max. 30 bar(DN32)  
 Outlet Pressure: 1.5 - 10 bar  
 Largest reduction ratio: 10:1  
 Temperature Range: -10°C to 95°C

**VARIATIONS:** Other dimensions and materials on request.



No	Part	Material	Code
1	Body	Bronze	CC499K
2	Bonnet	Bronze	CC499K
3	Disc	Brass	CW614N
4	Seal	NBR	-
5	Stem	Brass	CW614N
6	Diaphragm	NBR	-
7	Spring	Spring Steel	1.1200
8	Spring Retainer	Brass	CW614N
9	Locknut	Brass	CW614N
10	Pressure Adjusting Screw	Brass	CW614N
11	Plug	Brass	CW614N

DN	G(inch)	L	H1	H2	SW1	SW2	Kg
10	3/8	73	22	100	27	27	0.5
15	1/2	73	22	100	27	27	0.5
20	3/4	70	30	120	36	32	0.8
25	1	87	35	165	44	40	1.4
32	1 1/4	100	43	175	54	49	2.0