

DESCRIPTION: 3-way full bore cast steel body ball valve with AISI 316 ball and PTFE seat ring. Raised face flanged. With hand wheel gear.

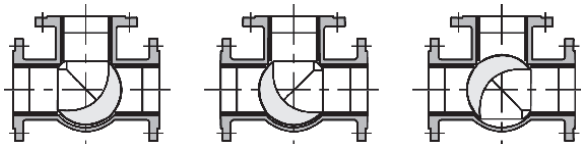
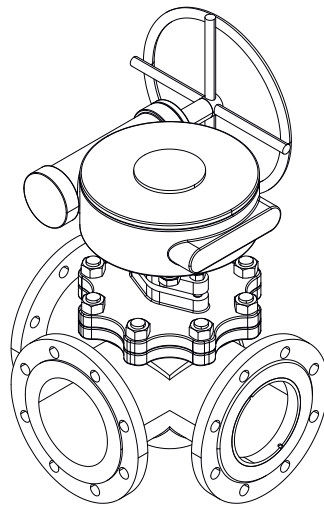
APPLICATION: Stop and distribution valve for: Compressed air, gases and liquids in general etc.

STANDARD & DESIGN:

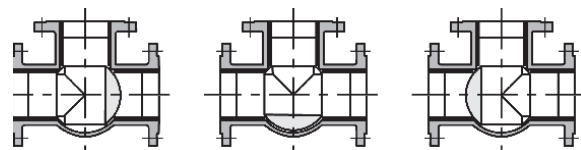
Design Code: EN 17292
 Inspection Std.: EN 12266-1
 End Std.: EN 1092-1
 Face to Face Std.: -
 Flanges drilled: PN16(DN125-DN200)
 Pressure rating: PN16(DN125-DN200)

VARIATIONS:

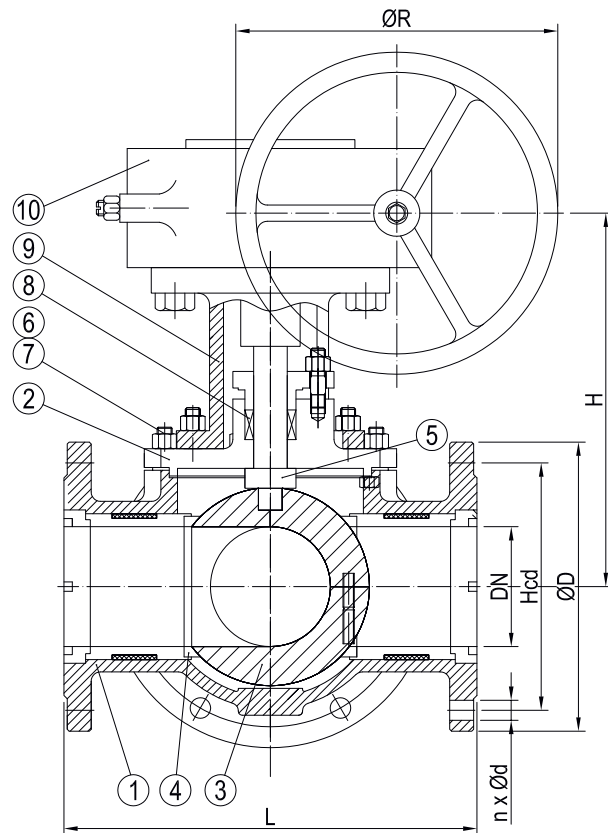
Ball design L-port
 Ball design T-port



L-PORT



T-PORT



| No | Part | Material | Code |
|----|---------------|-----------------|-----------------|
| 1 | Body | Cast Steel | ASTM A216-WCB |
| 2 | Bonnet | Cast Steel | ASTM A216-WCB |
| 3 | Ball | Stainless Steel | ASTM A182-F316 |
| 4 | Seat | RPTFE | - |
| 5 | Stem | Stainless Steel | ASTM A276-420 |
| 6 | Stud Bolt | Steel | ASTM A193 Gr.B7 |
| 7 | Nut | Steel | ASTM A194 Gr.2H |
| 8 | Packing | PTFE | - |
| 9 | Yoke | Steel | - |
| 10 | Gear Actuator | - | - |

| DN | n x ød | Hcd | øD | L | H | øR | Kg |
|-----|--------|-----|-----|-----|-----|-----|-----|
| 125 | 8x18 | 210 | 250 | 380 | 245 | 600 | 77 |
| 150 | 8x22 | 240 | 285 | 440 | 265 | 800 | 108 |
| 200 | 12x22 | 295 | 340 | 550 | 305 | 800 | 126 |