

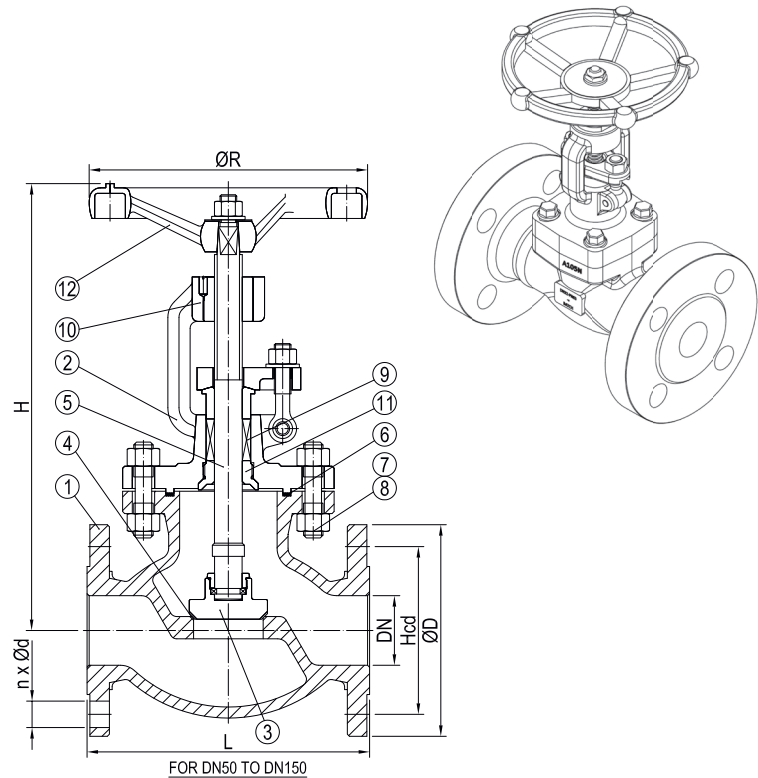
DESCRIPTION: Straight type, forged steel body stop valve, Stellite trim with rising stem and bolted bonnet. Raised face flanged.

APPLICATION: Start/stop and throttling of: Air, water, oils, steam, oils and aggressive/abrasive media etc.

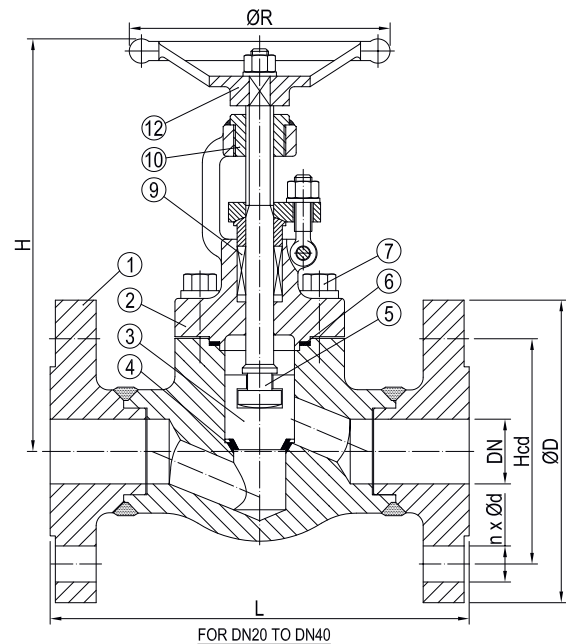
STANDARD & DESIGN:

Design Code: API 602 (DN20-DN40)
BS 1873 (DN50-DN150)
Inspection Std.: API 598
End Std.: ASME B16.5
Face to Face Std.: ASME B16.10
Flanges drilled: ANSI 300(DN20-DN150)
Pressure rating: ANSI 300(DN20-DN150)

VARIATIONS: Other materials and dimensions on request.



No	Part	Material	Code
1	Body (DN20-DN40)	Forged Steel	ASTM A105
		Cast Steel	ASTM A216-WCB
2	Bonnet (DN20-DN40)	Forged Steel	ASTM A105
		Cast Steel	ASTM A216-WCB
3	Disc (DN20-DN40)	Stainless Steel	ASTM A276-420
		Forged Steel	ASTM A105
4	Seat	Deposited Stellite	-
5	Stem (DN20-DN40)	Stainless Steel	ASTM A276-410
		Stainless Steel	ASTM A182-F6a
6	Bonnet Gasket	Graphite	-
7	Stud Bolt	Steel	ASTM A193 Gr.B7
8	Nut	Steel	ASTM A194 Gr.2H
9	Packing	Graphite	-
10	Stem Nut (DN20-DN40)	Carbon Steel	1045
		Al-Bronze alloy	-
11	Back Seat Bushing	Stainless Steel	ASTM A276-420
12	Handwheel (DN20-DN40)	Malleable Iron	ASTM A197
		Cast Iron	-



DN	n x ød	Hcd	øD	L	H	øR	Kg
20	4x19	83	115	178	155	100	5.3
25	4x19	89	125	203	176	125	7.2
32	4x19	98	135	216	200	160	10.6
40	4x22	114	155	229	220	160	15.3
50	8x19	127	165	267	370	200	25.0
65	8x22	149	190	292	420	240	32.0
80	8x22	168	210	318	460	240	35.0
100	8x22	200	255	356	480	280	56.0
150	12x22	270	320	444	600	350	120.0