

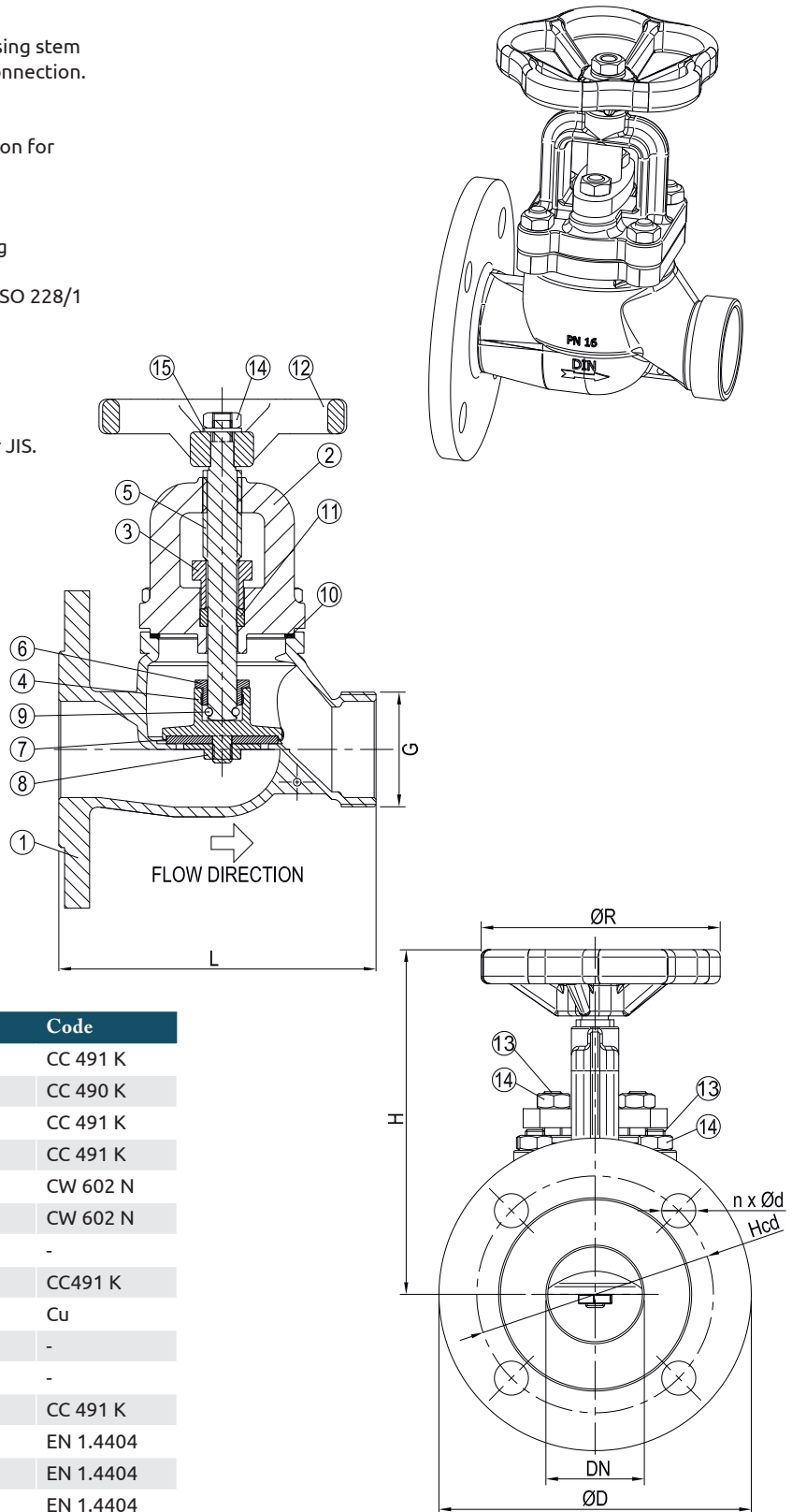
**DESCRIPTION:** Rg5 body soft sealing fire valve. Rising stem with screwed and secured bonnet. Straight hose connection. Raised face flanged.

**APPLICATION:** Water and sea water hose connection for fire fighting system.

**STANDARD & DESIGN:**

Design Code: DIN 86211-without coupling  
 End Std.(Inlet Flange): EN 1092-3/B(DIN 2501)  
 (Outlet Flange): BSP-Male threaded acc. to ISO 228/1  
 Face to Face Std.: DIN 86211-straight type  
 Flanges drilled: PN16 (DN40-DN65)  
 Pressure rating: PN16 (DN40-DN65)  
 Temperature range: -10°C to +60°C

**VARIATIONS:** Special flange drilling acc. to ANSI or JIS.  
 Other materials on request.  
 With various couplings.



| No | Part           | Material        | Code      |
|----|----------------|-----------------|-----------|
| 1  | Body           | Bronze          | CC 491 K  |
| 2  | Bonnet         | Bronze          | CC 490 K  |
| 3  | Gland          | Bronze          | CC 491 K  |
| 4  | Disc           | Bronze          | CC 491 K  |
| 5  | Stem           | Brass           | CW 602 N  |
| 6  | Disc Nut       | Brass           | CW 602 N  |
| 7  | Disc Packing   | NBR             | -         |
| 8  | Nut            | Bronze          | CC491 K   |
| 9  | Fixing Ring    | Copper          | Cu        |
| 10 | Bonnet Packing | NBR             | -         |
| 11 | Gland Packing  | PTFE            | -         |
| 12 | Handwheel      | Bronze          | CC 491 K  |
| 13 | Stud           | Stainless steel | EN 1.4404 |
| 14 | Nut            | Stainless steel | EN 1.4404 |
| 15 | Washer         | Stainless steel | EN 1.4404 |

| DN | n x ød | Hcd | øD  | G  | L   | H   | øR  | Kg   |
|----|--------|-----|-----|----|-----|-----|-----|------|
| 40 | 4x18   | 110 | 150 | 1½ | 165 | 165 | 130 | 6.0  |
| 50 | 4x18   | 125 | 165 | 2  | 165 | 165 | 130 | 6.0  |
| 65 | 4x18   | 145 | 185 | 2½ | 200 | 185 | 150 | 10.9 |