

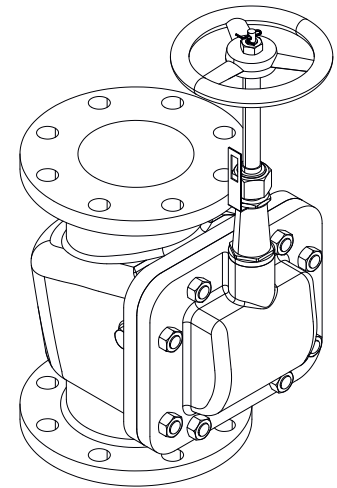
DESCRIPTION: Straight type closable check valve. Cast steel body. Soft sealing disc. Flat face flanged.

APPLICATION: Ship side valve for discharge of various sanitary systems. Preventing sea water from entering the piping system. Manually closable at e.g. dry docking.

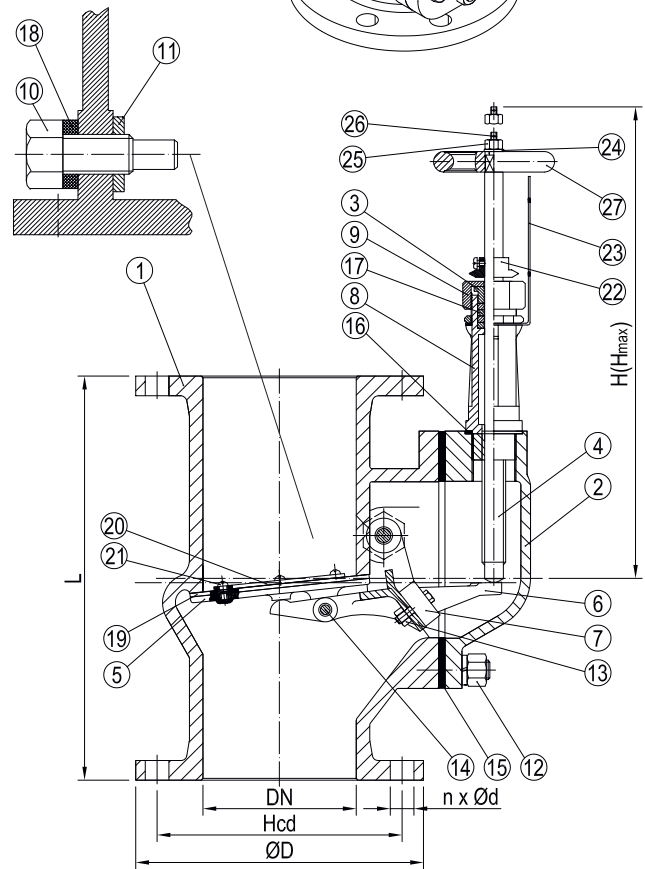
STANDARD & DESIGN:

Design Code: JIS F3060
 Inspection Std.: JIS F7400
 End Std.: JIS B2220
 Face to Face Std.: -
 Flanges drilled: JIS 5K(DN50-DN150)
 JIS 10K(DN50-DN150)
 Pressure rating: JIS 5K(DN50-DN150)
 JIS 10K(DN50-DN150)

VARIATIONS: Other materials and dimensions on request. Flange drilling 10K



No	Part	Material	Code
1	Body	Cast Steel	ZG230-450
2	Cover	Cast Steel	ZG230-450
3	Gland	Brass	H62
4	Spindle	Stainless Steel	2Cr13
5	Valve Plate	Brass	H62
6	Closing Arm for Valve Plate	Brass	H62
7	Counterweight	Lead	Pb
8	Spindle Box	Brass	H62
9	Packing Gland Nut	Brass	H62
10	Valve Axle	Stainless Steel	2Cr13
11	Washer	Brass	H62
12	Nut	Carbon Steel	Q235A
13	Nut	Carbon Steel	Q235A
14	Nut	Brass	H62
15	Gasket	Graphite	-
16	Gasket	Graphite	-
17	Packing	Graphite	-
18	Gasket	Graphite	-
19	Gasket	EPDM	-
20	Set Plate for Gasket	Stainless Steel	304
21	Set Screw for Gasket	Carbon Steel	Q235A
22	Staff	Brass	H62
23	Staff	Brass	H62
24	Cushion	Carbon Steel	Q235A
25	Nut	Carbon Steel	Q235A
26	Split Pin	Carbon Steel	A3
27	Handwheel	Cast Iron	FC 200



5K

DN	n x ød	Hcd	øD	L	H	H _{max}	Kg
50	4x15	105	130	210	290	328	12.3
65	4x15	130	155	240	290	335	17.8
80	4x19	145	180	260	290	335	23.3
100	8x19	165	200	280	290	340	30.6
125	8x19	200	235	330	290	340	50.0
150	8x19	230	265	360	290	345	67.0

10K

DN	n x ød	Hcd	øD	L	H	H _{max}	Kg
50	4x19	120	155	210	290	328	13.4
65	4x19	140	175	240	290	335	18.7
80	8x19	150	185	260	290	335	23.3
100	8x19	175	210	280	290	340	31.9
125	8x23	210	250	330	290	340	-
150	8x23	240	280	360	290	345	-