

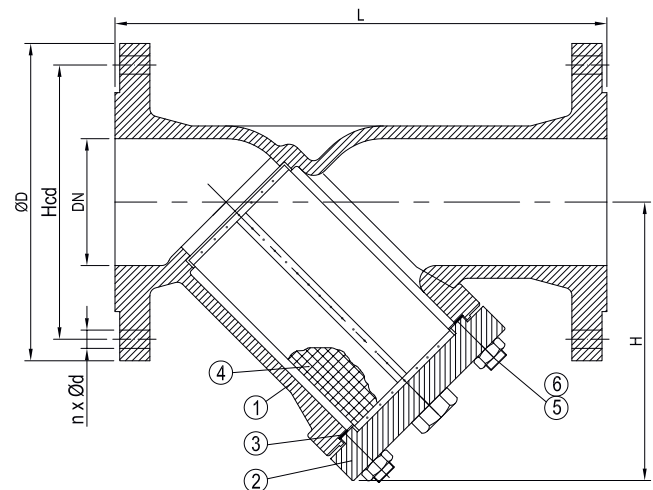
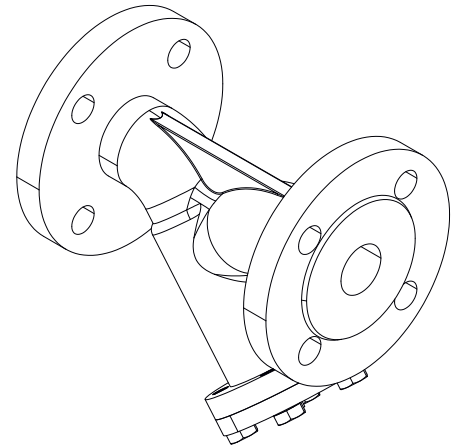
DESCRIPTION: Y-type, grey cast iron body strainer with AISI 304 strainer basket. With drain plug. Raised face flanged.

APPLICATION: Filtering of water, oils, non aggressive process liquids in general etc.
Water, oil and other process liquids.

STANDARD & DESIGN:

Design Code: -
 Inspection Std.: -
 End Std.: EN 1092/B (DIN 2501)
 Face to Face Std.: EN 558 series 1 (DIN 3202 F1)
 Flanges drilled: PN16 (DN15-DN150)
 PN10 (DN200-DN500)
 Pressure rating: PN16 (DN15-DN150)
 PN10 (DN200-DN500)
 Temperature range: -10°C to +120°C

VARIATIONS: Other mesh sizes.
Other materials on request.



No	Part	Material	Code
1	Body	Cast Iron	EN-GJL250
2	Bonnet	Cast Iron	EN-GJL250
3	Bonnet Gasket	Graphite	-
4	Screen	Stainless Steel	AISI 304(1.4301)
5	Stud Bolt	Steel	-
6	Nut	Steel	-

DN	n x ød	Hcd	øD	L	H	Kg
15	4x14	65	95	130	75	3.0
20	4x14	75	105	150	80	3.5
25	4x14	85	115	160	90	4.5
32	4x18	100	140	180	90	5.5
40	4x18	110	150	200	110	8.0
50	4x18	125	165	230	120	10.0
65	4x18	145	185	290	140	15.0
80	8x18	160	200	310	170	22.0
100	8x18	180	220	350	220	32.0
125	8x18	210	250	400	260	43.0
150	8x22	240	285	480	300	60.0
200	8x22	295	340	600	370	90.0
250	12x22	350	395	730	440	155.0
300	12x22	400	445	850	525	180.0
350	16x22	460	505	980	590	250.0
400	16x26	515	565	1100	680	320.0
500	20x26	620	670	1250	985	430.0