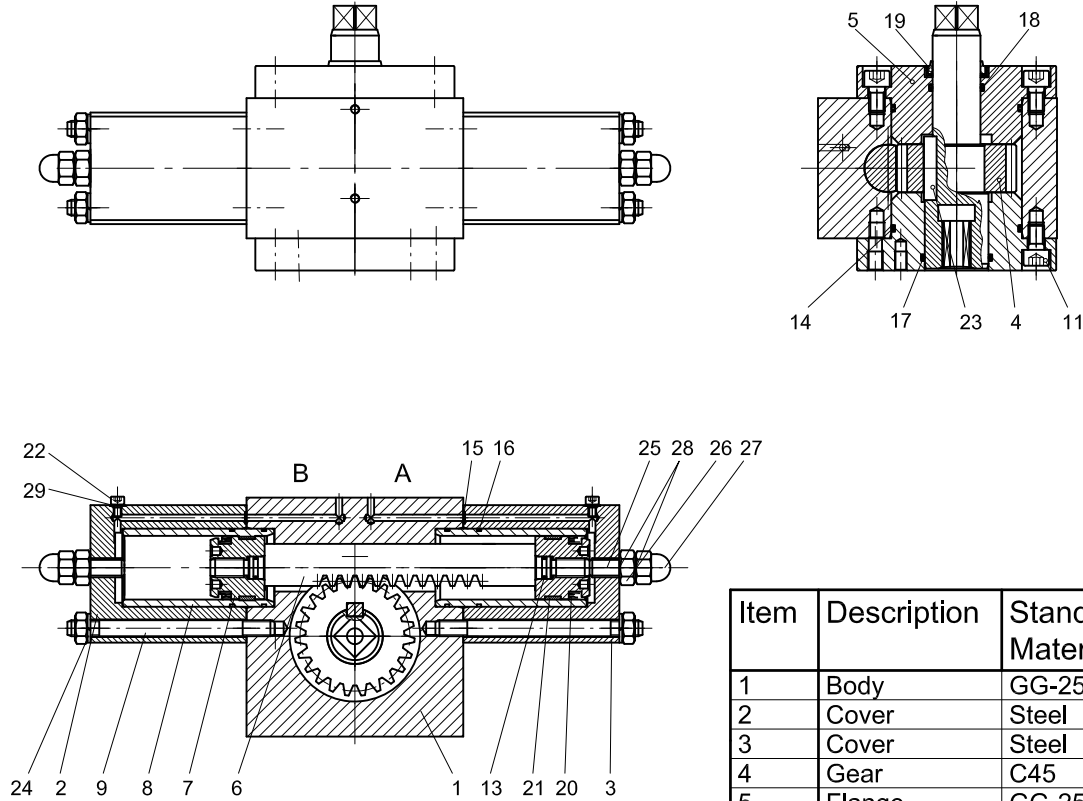


7.0 Cross view and part list size 32, 40 and 63



Item	Description	Standard Materials
1	Body	GG-25
2	Cover	Steel
3	Cover	Steel
4	Gear	C45
5	Flange	GG-25
6	Rack bar	16MnCr5
7	Piston	Steel
8	Bush	Steel
9	Tie rod	1.4305
10	.	.
11	Cylinder screw	A2A
12	.	.
13 *)	O-ring	NBR
14 *)	O-ring	NBR
15 *)	O-ring	NBR
16 *)	O-ring	NBR
17 *)	O-ring	NBR
18 *)	O-ring	NBR
19 *)	Mud stripper	NBR
20 *)	Piston sealing	NBR
21 *)	Guide ring	PTFE
22	Cylinder screw	A2A
23	Parallel key	steel
24	Washer	A4
25	Grub screw	H45
26	Hexagon nut	A4
27	Capnut	A4
28 *)	Gasket	Cu
29 *)	Gasket	Cu