

THREADED ENDS

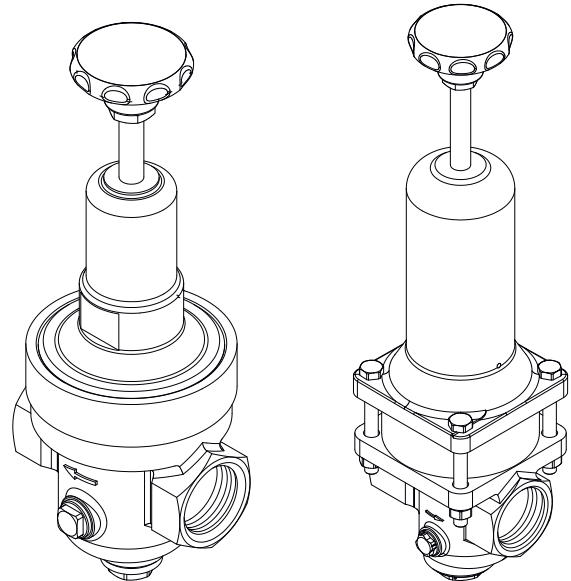
DESCRIPTION: Straight Rg5 body adjustable pressure reducing valve with NBR seal. Outlet pressure range 1,5-20 bar. Single manometer fitting. Female BSPP thread.

APPLICATION: Avoiding distributing line overpressure or pressure peaks due to variations in supply line pressure in neutral non viscous liquids, air, gases and vapours. Not for steam.

STANDARD & DESIGN:

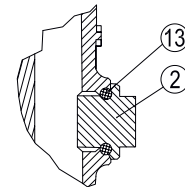
Design Code:	-
Inspection Std.:	-
End Std.:	ISO 228
Face to Face Std.:	-
Pressure rating:	PN40(DN8-DN50)
Working(inlet) pressure:	Max. 40 bars
Outlet pressure range:	1.5 to 20 bars
Highest reduction ratio:	6:1
Maximum temperature:	75°C

VARIATIONS: Available with double manometer fitting. Other dimensions and materials on request.



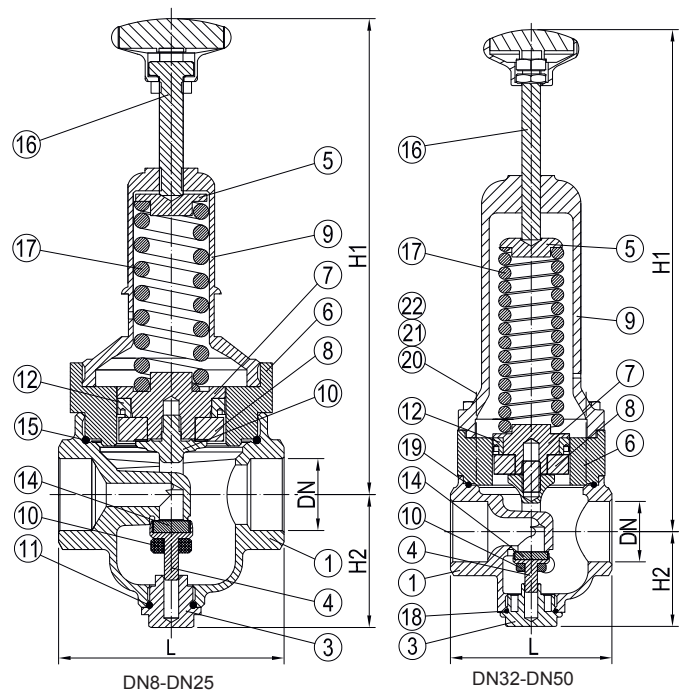
DN8-DN25

DN32-DN50



DETAIL AT CLOSING PLUG

No	Part	Material	Code
1	Body	Bronze	CuSn5Zn5Pb5-C-GS
2	Closing Plug	Brass	CuZn39Pb3
3	Closing Plug	Brass	CuZn39Pb3
4	Main Seal Holder	Brass	CuZn39Pb3
5	Spring Cap	Brass	CuZn39Pb3
6	Piston Guide	Brass	CuZn39Pb3
7	Piston	Brass	CuZn39Pb3
8	Space Sleeve	Brass	CuZn39Pb3
9	Hood DN8-DN25	Brass	CuZn39Pb3
	DN32-DN50	Cast Iron	-
10	Swing	Brass	CuZn39Pb3
11	O-Ring (16x2.5mm)	NBR	-
12	Ring	NBR	-
13	O-Ring (10x2mm)	NBR	-
14	Main Seal	NBR	-
15	O-Ring (69x3mm)	NBR	-
16	Complete Handwheel	-	-
17	Spring	Spring Steel	-
18	O-Ring (30x3mm)	NBR	-
19	O-Ring (78x2.5mm)	NBR	-
20	Bolt	Stainless Steel	V2A
21	Nut	Stainless Steel	V2A
22	Spring Lock Washer	Stainless Steel	V2A



DN8-DN25

DN32-DN50

DN	Inch	L	H1	H2	Kg
8	1/4	70	141	47	1.2
10	3/8	70	141	47	1.2
15	1/2	85	182	47	1.8
20	3/4	85	182	47	1.8
25	1	95	201	55	2.7
32	1 1/4	104	324	61	6.3
40	1 1/2	108	331	61	6.4
50	2	147	349	72	10.1